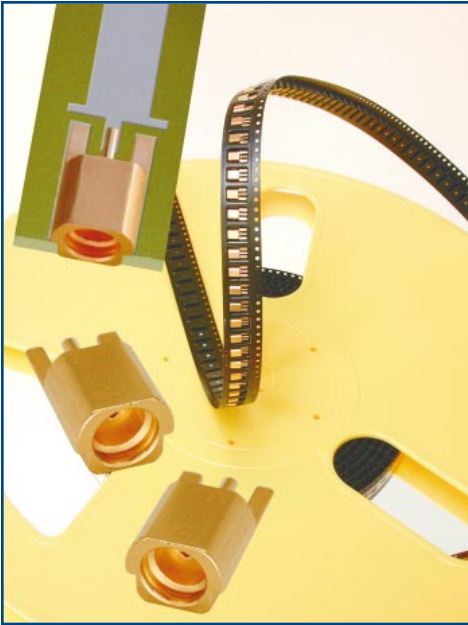


# MMCX Edge Mount P.C. Board Receptacle



These MMCX receptacles mount with the mating end flush with the board edge for superior space savings and design versatility.

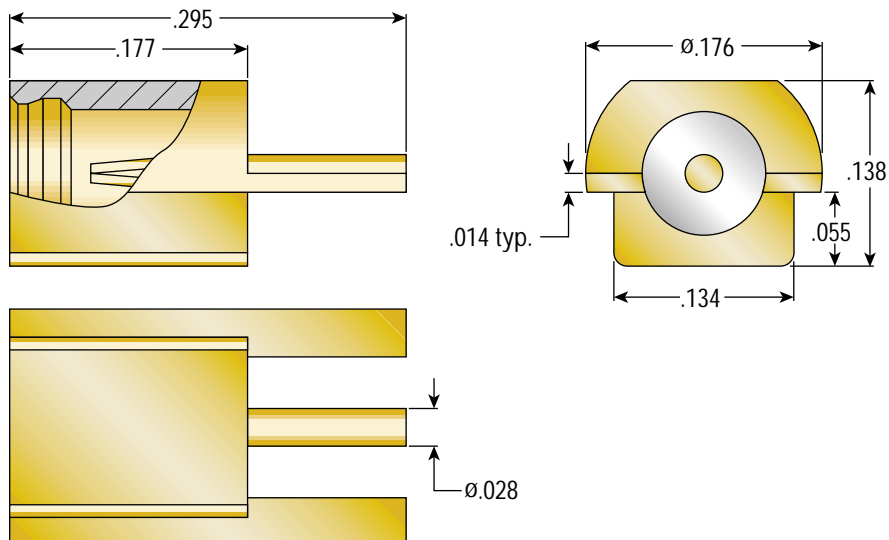
Other features include:

- Tape and reel packaging available.
- Mated conector pairs can be rotated for repositioning.
- Fit boards from .031 to .063 thick.
- Gold plated for superior solderability.
- Fast delivery from stock.

## Ordering Information

Individual packaging:  
8915-1511-000

Tape & reel packaging (reel of 500):  
8915-1511-500



See next page for mounting dimensions and specifications

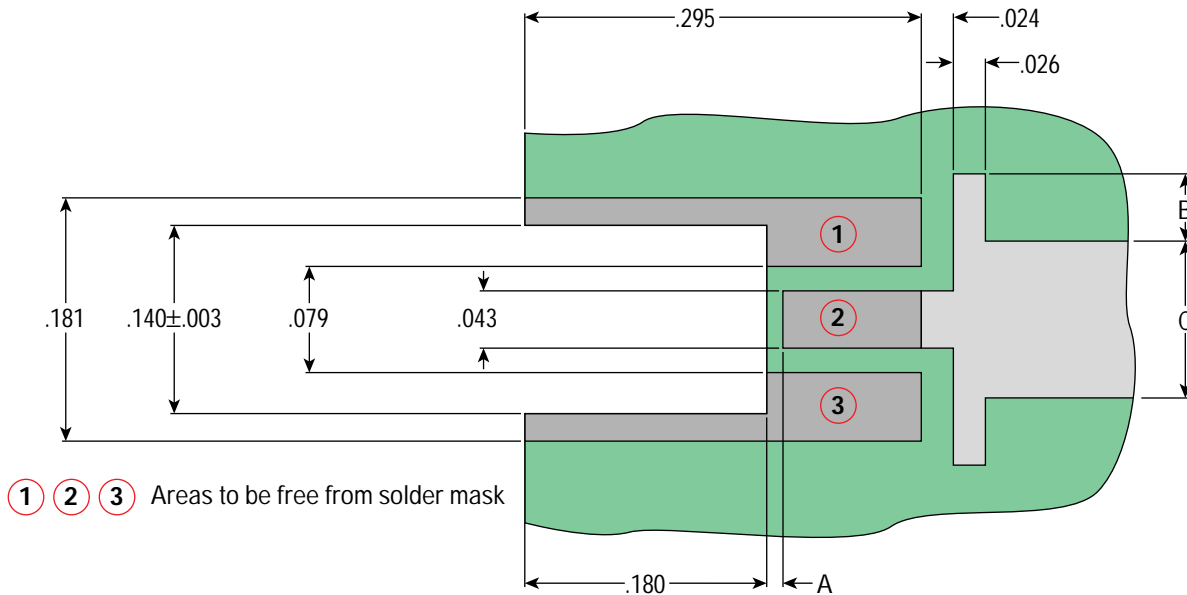


APPLIED ENGINEERING PRODUCTS  
(203) 776-2813 • FAX (203) 776-8294  
P.O. Box 510 • New Haven, CT 06513

[www.aepconnectors.com](http://www.aepconnectors.com) • [aepsales@aepconnectors.com](mailto:aepsales@aepconnectors.com)

# 8915-1511-000 MMCX Edge Mount P.C. Board Receptacle

## Mounting dimensions



Board thickness (FR4, Er=4.6)	A	B	C
.031	.039	.000	.055
.039	.035	.012	.071
.063	.016	.063	.110

## Specifications (MIL-PRF-39012 as applicable)

### Materials:

**Body:** Brass per ASTM B16, alloy C36000, temper H02.  
**Center contact:** Beryllium copper per ASTM B196, alloy C173000, temper TD04.  
**Insulator:** Virgin white Teflon per ASTM D1710, Grade 1, Type I, Class A.

### Finish:

**Body:** Gold plated per MIL-G-45204, Type II, Class 0, Grade C over .00010 to .00020 copper strike per MIL-C-14550.  
**Center contacts:** Gold plated per MIL-G-45204, Type II, Class 1, Grade C, over .00010 to .00020 stress-free sulfamate nickel per QQ-N-290.

### Mechanical:

**Force to engage:** 8 pounds max.  
**Force to disengage:** 1.4 pounds min.  
**Contact retention:** 2 pounds min axial force.  
**Durability:** 500 mating cycles.  
**Environmental (MIL-STD-202):**  
**Temperature range:** -65° C to +165° C.  
**Corrosion:** Method 101, condition B.  
**Vibration:** Method 204, Condition D.  
**Thermal shock:** Method 107, Condition C, except temperaturerange -55° C to +125° C.

### Electrical:

**Impedance:** 50Ω.  
**Frequency range:** DC-6 GHz.  
**Insulation Resistance:** 1,000 megohms minimum.  
**Dielectric Withstanding Voltage:** 500VRMS @ sea level  
**Contact Resistance:** Initial: 5 milliohms maximum; after environmental test conditions: 15 milliohms maximum.  
**Corona level:** 190V @70,000 ft.  
**RF highpot:** 400 VRMS @ 4 MHz.

\*These specifications change periodically with updates to MIL-PRF-39012 requirements. Contact factory for latest specifications.

