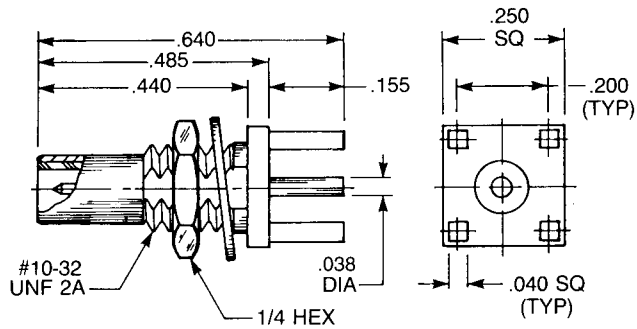
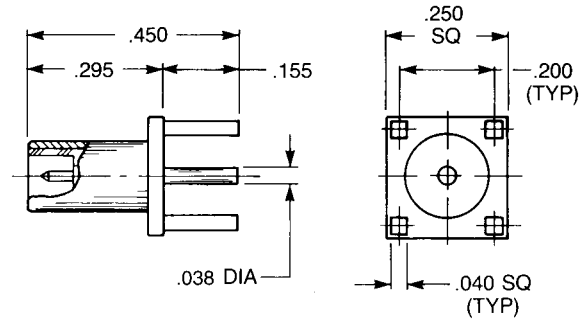


SLB P.C. Board Receptacles

Straight Jacks

Straight Male Jack Receptacle

3009-1511-000 (Gold plated)
3009-7511-000 (Nickel plated)



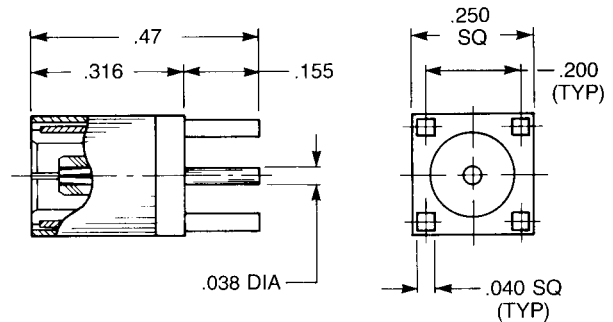
Bulkhead Mounted Straight Male Jack P.C. Board Receptacle

3109-1511-000 (Gold plated)
3109-7511-000 (Nickel plated)

Straight Plug

Straight Female Plug Receptacle

3025-1511-000 (Gold plated)
3025-7511-000 (Nickel plated)



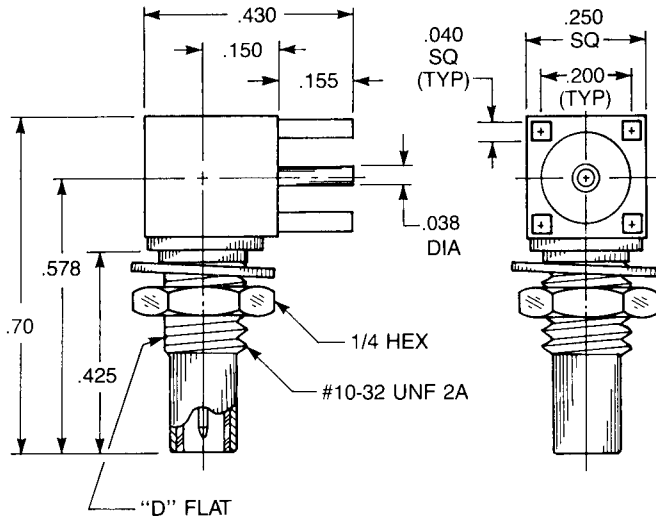
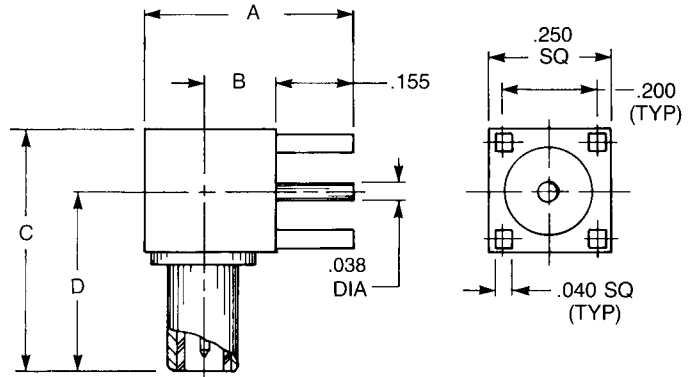
SLB P.C. Board Receptacles

Right Angle Jacks

Right Angle Male Jack Receptacle

A	B	C	D
.43	.15	.50	.38
3010-1511-000		(Gold plated)	
3010-7511-000		(Nickel plated)	

A	B	C	D
.50	.215	.56	.437
3010-1511-003		(Gold plated)	
3010-7511-003		(Nickel plated)	



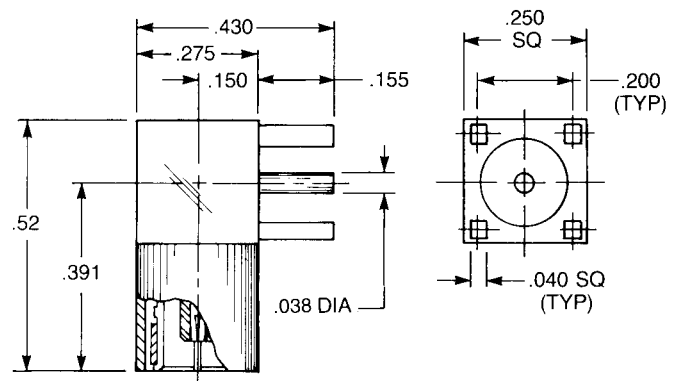
Bulkhead Mounted Right Angle Male Jack P.C. Board Receptacle

- 3110-1511-000 (Gold plated)
- 3110-7511-000 (Nickel plated)

Right Angle Plug

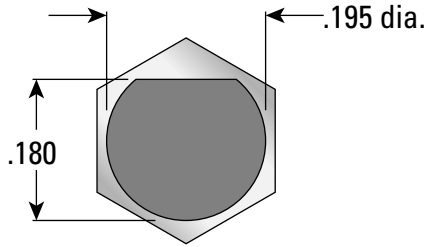
Right Angle Female Plug Receptacle

- 3042-1511-000 (Gold plated)
- 3042-7511-000 (Nickel plated)



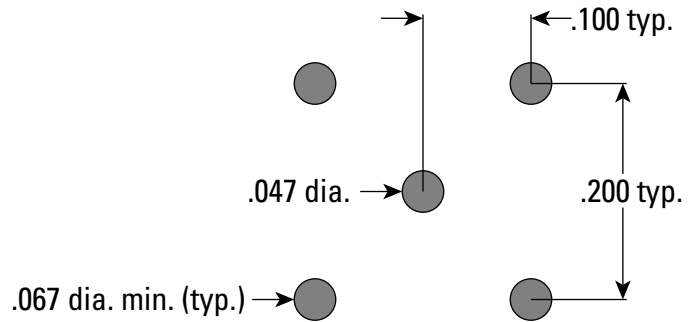
Mounting Dimensions

Bulkhead Receptacles



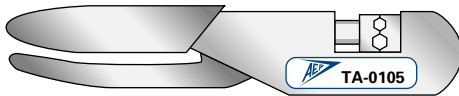
Flat of mounting surface is aligned with body hex as shown.

P.C. Board Receptacles



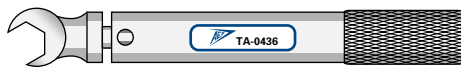
Assembly Tooling

Crimp tool



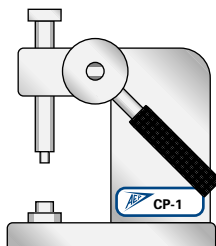
DESCRIPTION	AEP P/N
Crimp tool with .105" and .128" hex dies	TA-0105

Torque Wrench



DESCRIPTION	AEP P/N
Torque wrench with 7/32" jaws for SLB connector backnuts; 95 inch-ounces torque	TA-0436

Capping Press



DESCRIPTION	AEP P/N
Capping tool (arbor press) with base for SLB right angle plugs	CP-1
Capping tool (arbor press) with base for SLB right angle jacks	CP-6