

# SMC Bulkhead Receptacles

## Straight Jacks

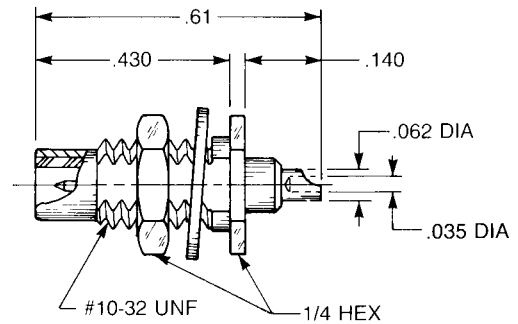
### Straight Male Bulkhead Jack Receptacle

- Solder pot contact
- Rear mount

1004-1511-000 (Gold plated)

1004-7511-000 (Nickel plated)

QPL version available (M39012/77)



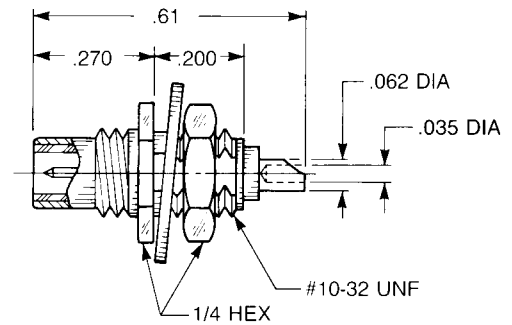
### Straight Male Bulkhead Jack Receptacle

- Solder pot contact
- Front mount

1019-1511-000 (Gold plated)

1019-7511-000 (Nickel plated)

QPL version available (M39012/77)



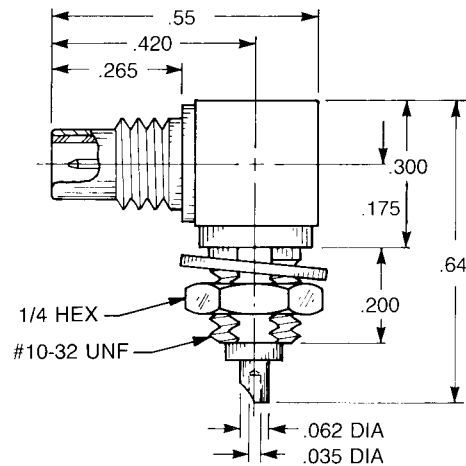
## Right Angle Jack

### Right Angle Male Bulkhead Jack Receptacle

- Solder pot contact
- Front mount

1012-1511-000 (Gold plated)

1012-7511-000 (Nickel plated)



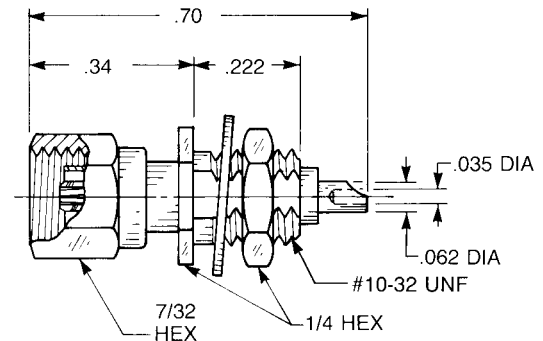
## Straight Plug

### Straight Female Bulkhead Plug Receptacle

- Solder pot contact
- Front mount

1017-1511-000 (Gold plated)

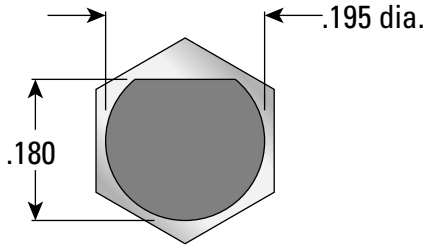
1017-7511-000 (Nickel plated)



(All fit .093" max panel thickness)

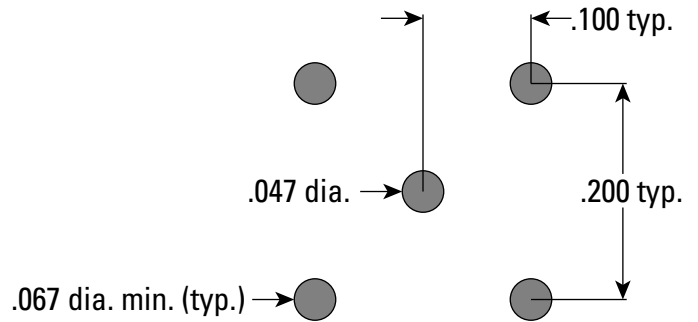
# Mounting Dimensions

## Bulkhead Receptacles



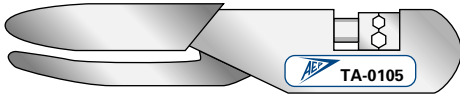
Flat of mounting surface is aligned with body hex as shown.

## P.C. Board Receptacles



# Assembly Tooling

## Crimp tool



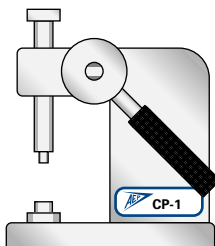
DESCRIPTION	AEP P/N
Crimp tool with .105" and .128" hex dies	TA-0105

## Torque Wrench



DESCRIPTION	AEP P/N
Torque wrench with 7/32" jaws for SMC connector backnuts; 95 inch-ounces torque	TA-0436
Torque wrench with 7/32" jaws for SMC coupling nuts; 3 inch-pounds torque	TA-0398

## Capping Press



DESCRIPTION	AEP P/N
Capping tool (arbor press) with base for SMC right angle plugs	CP-7
Capping tool (arbor press) with base for SMC right angle jacks	CP-8