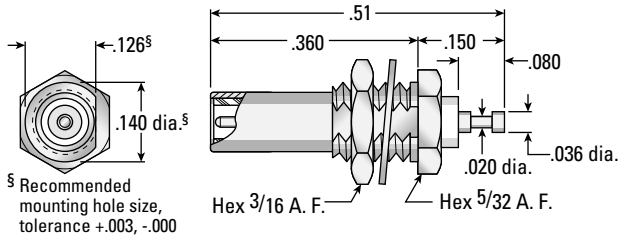


SSLB Bulkhead Mounted Receptacles

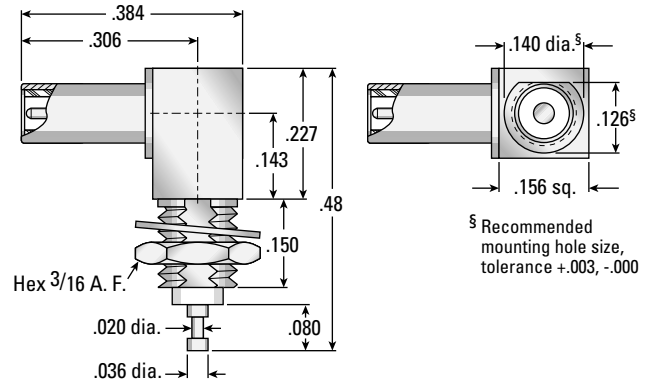
Bulkhead Jack Receptacles (.093" max panel thickness)

Straight



AEP P/N
7304-1511-000

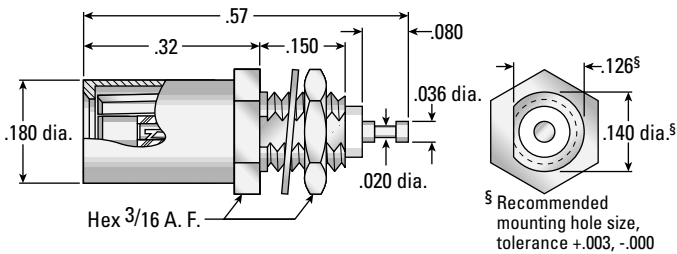
Right angle



AEP P/N
7312-1511-000

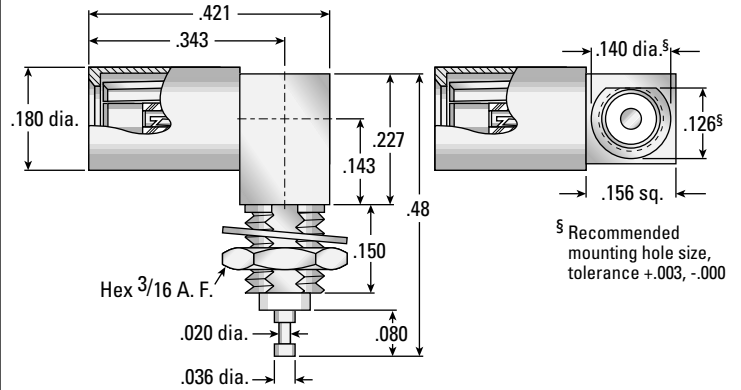
Bulkhead Plug Receptacles (.093" max panel thickness)

Straight



AEP P/N
7317-1512-000

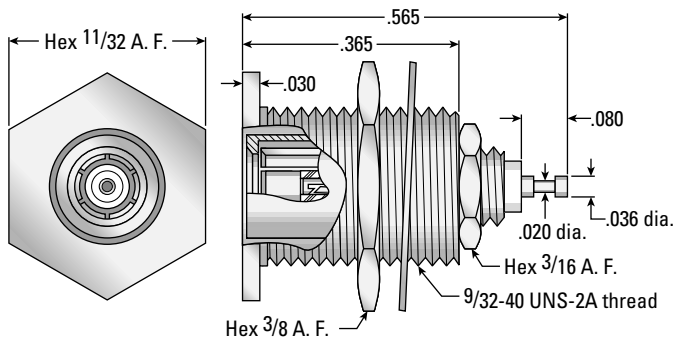
Right angle



AEP P/N
7340-1511-000

Straight Bulkhead Plug Receptacle (.250" max panel thickness)

Recessed mount



AEP P/N
7396-1512-000