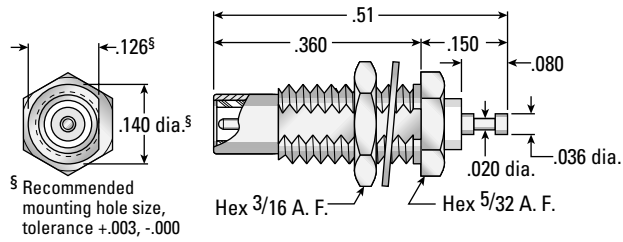


SSMC Bulkhead Mounted Receptacles

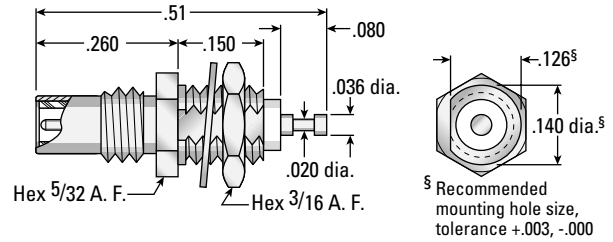
Straight Bulkhead Jack Receptacles (.093" max panel thickness)

Rear mount



AEP P/N
7004-1512-000

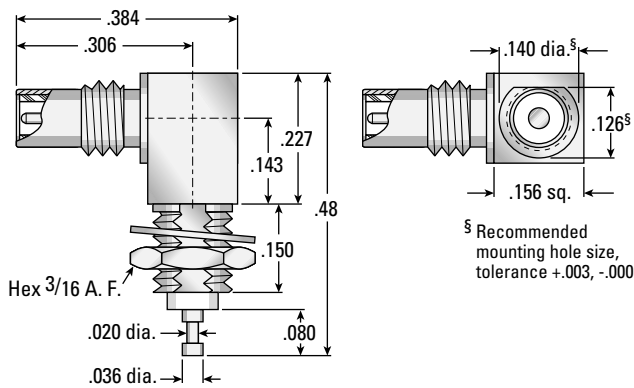
Front mount



AEP P/N
7119-1512-000

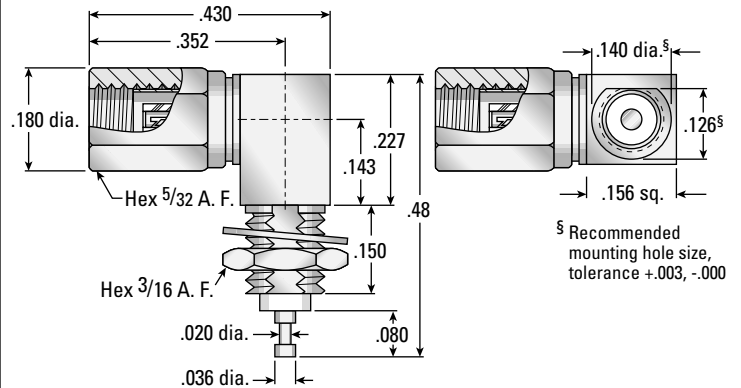
Right Angle Bulkhead Receptacles (.093" max panel thickness)

Jack type



AEP P/N
7012-1511-000

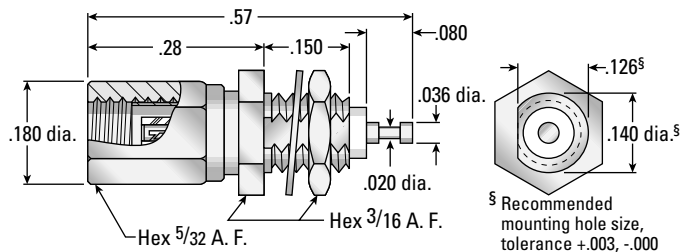
Plug type



AEP P/N
7040-1511-000

Straight Bulkhead Plug Receptacle

Front mount (.093" max panel thickness)



AEP P/N
7017-1512-000