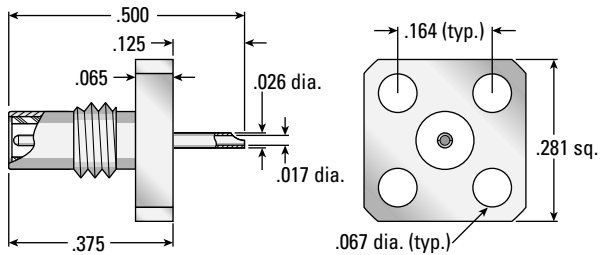


# SSMC Receptacles and Adapters

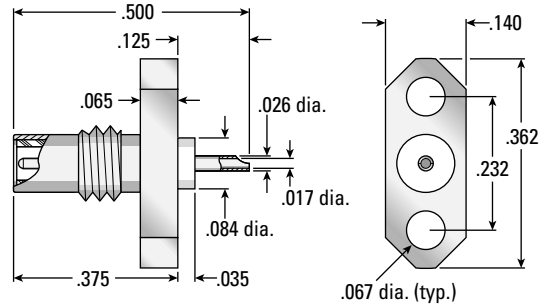
## Straight Panel Jack Receptacle (Stainless steel bodies)

### 4-hole flange



**AEP P/N**  
**7198-1513-000**

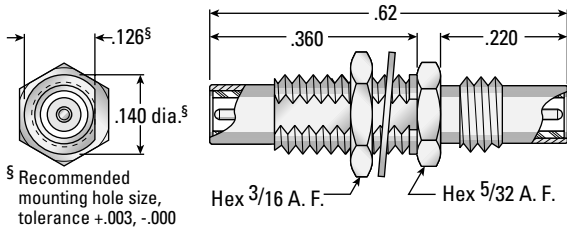
### 2-hole flange



**AEP P/N**  
**7100-1513-000**

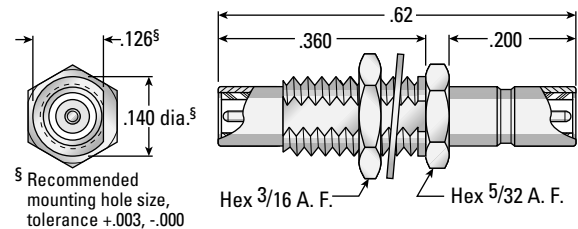
## Bulkhead Mounted Adapters

### SSMC jack to SSMC jack



**AEP P/N**  
**7122-1502-000**

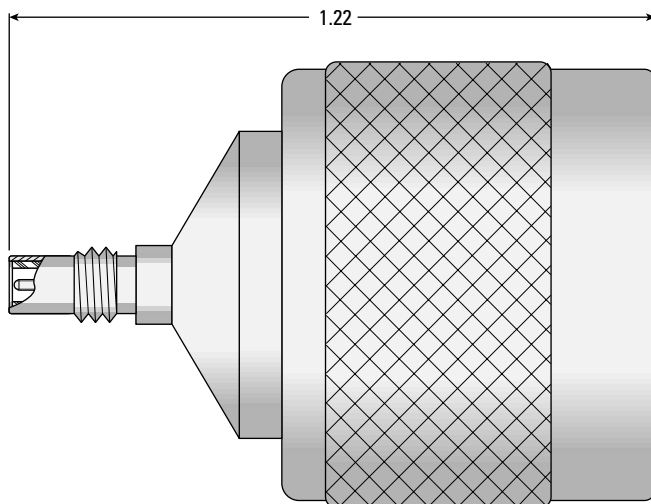
### SSMC jack to SSMB jack



**AEP P/N**  
**7022-1502-000**

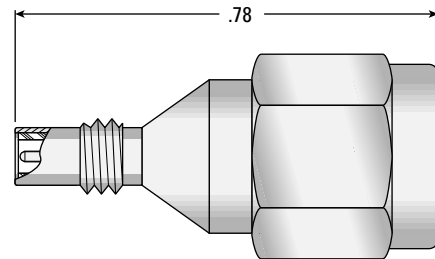
## Adapters Between Series

### N plug to SSMC jack



**AEP P/N**  
**5013-1503-000**

### SMA plug to SSMC jack



**AEP P/N**  
**5938-1503-000**

